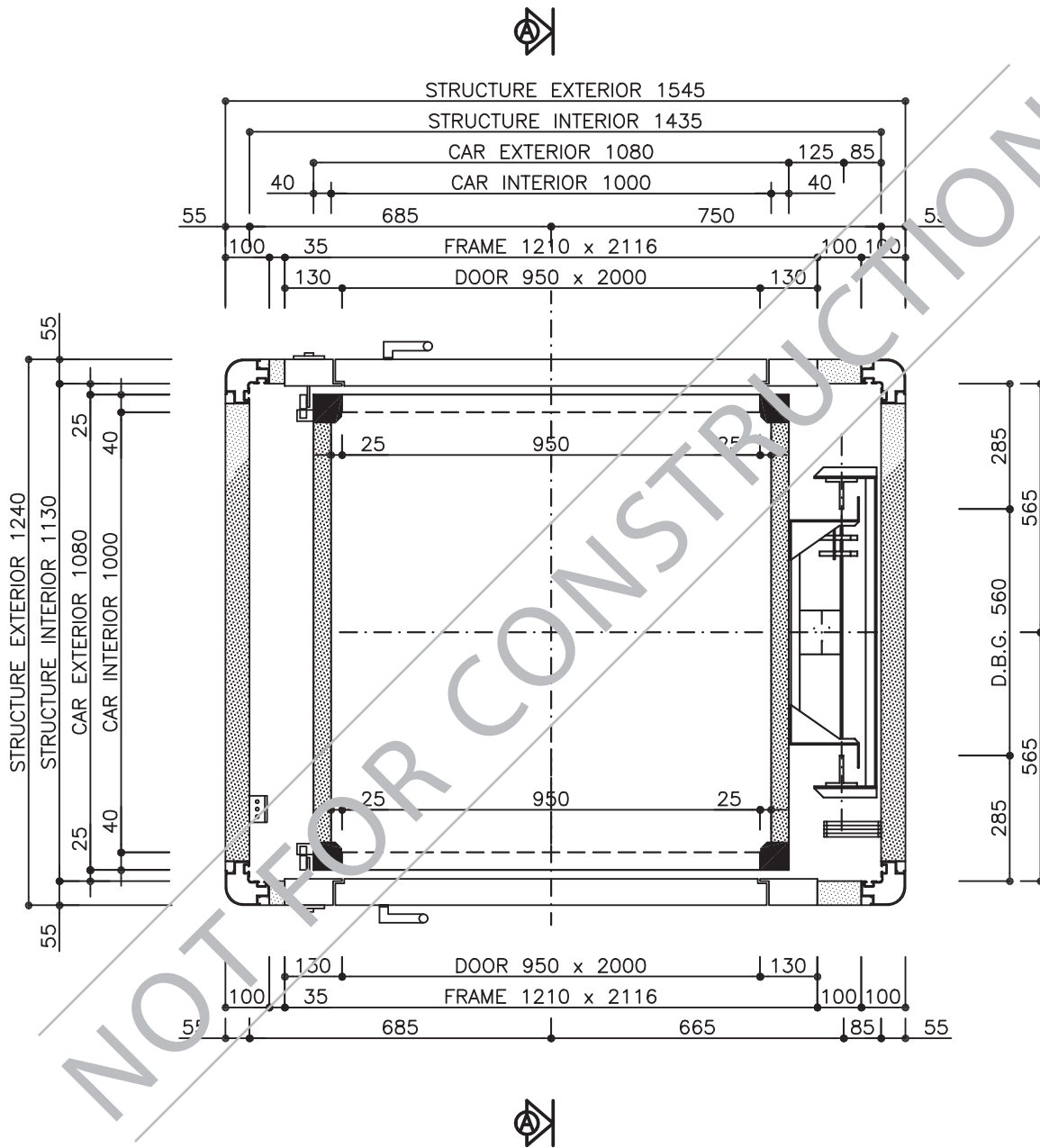


SHAFT AND CAR PLAN



Copyright © Easy Living Home Elevators, July 2005

SPECIFICATIONS

Carrying Capacity: 250kg	Pit Depth: 130mm
Speed: 0.25m/sec	Headroom: 2500mm min
Maximum Travel: 12m	Motor Cabinet: 600Wx280Dx1000H



For reference only: NOT FOR CONSTRUCTION.
 Please contact our sales representative for more information.

NSW
 T. 02 9907 4634

VIC
 T. 03 9427 0122

QLD
 T. 07 3216 2670